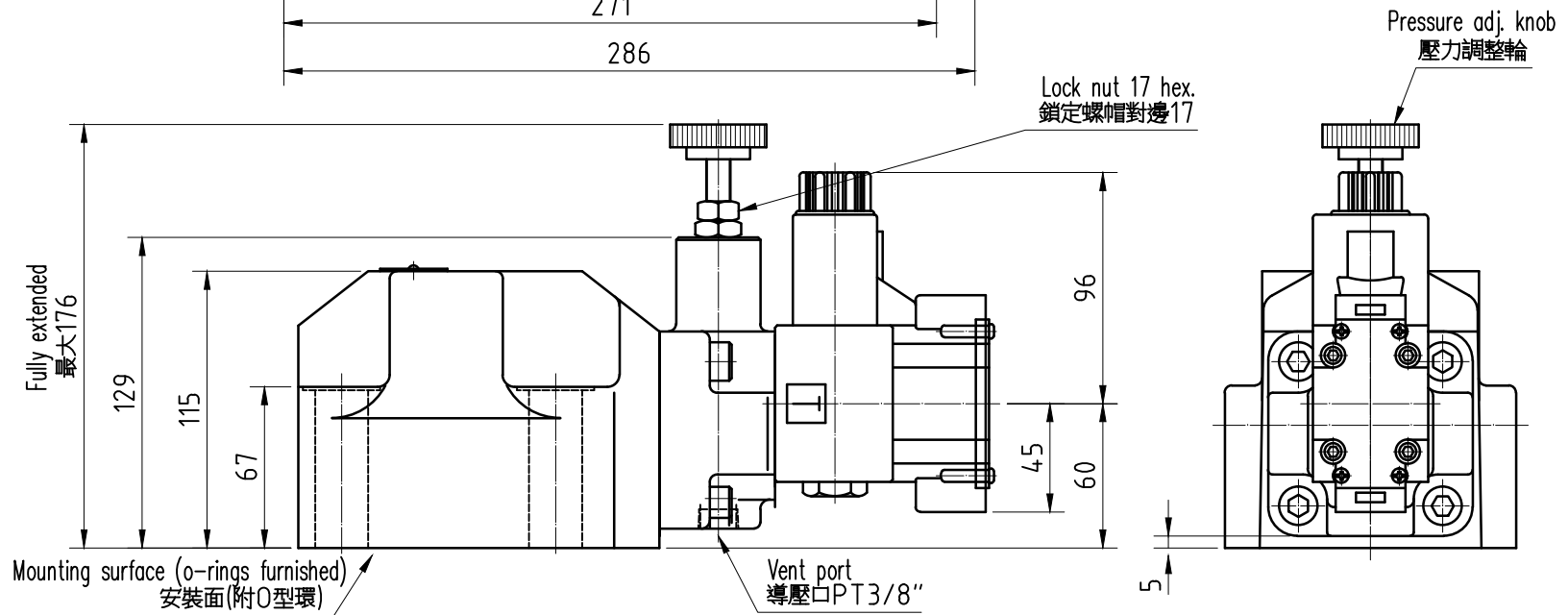


22 dia. through 32 dia. spotface 4 places
 4-Ø22孔, Ø32沉孔坑深1.5



Mounting surface: ISO 6264-AT-10-2-A
 安裝面: 符合ISO 6264-AT-10-2-A

MODEL: BSHG-10
 單位: mm Unit: mm