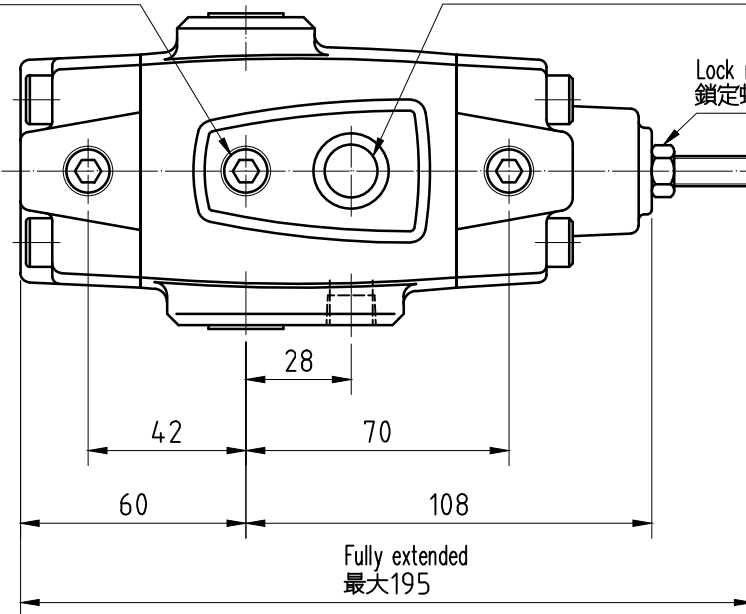




Primary pres. gauge connection
1次壓力測壓口PT1/4"

Second pressure outlet port or
reversed free flow inlet port
2次壓力口或自由流入口PT3/8"

Lock nut 13 hex.
鎖定螺帽對邊13

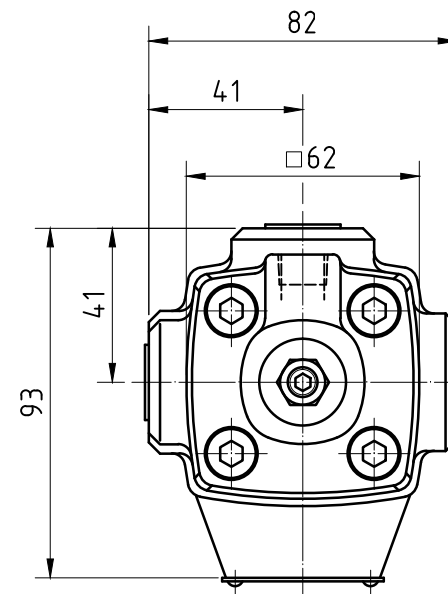
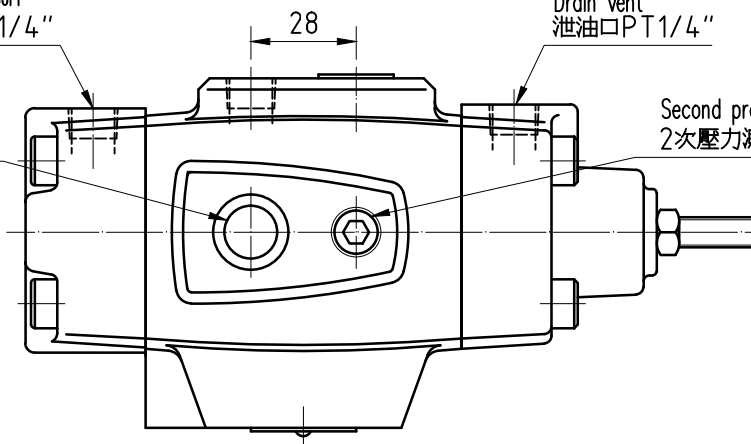


External port port
外控口PT1/4"

Drain vent
泄油口PT1/4"

Second pres. gauge connection
2次壓力測壓口PT1/4"

Primary pressure inlet port or
reversed free flow outlet port
1次壓力口或自由流出口2-PT3/8"



MODEL:HCT-03

單位:mm Unit:mm