



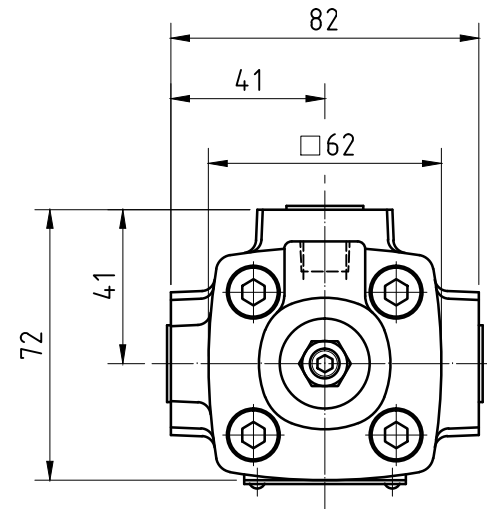
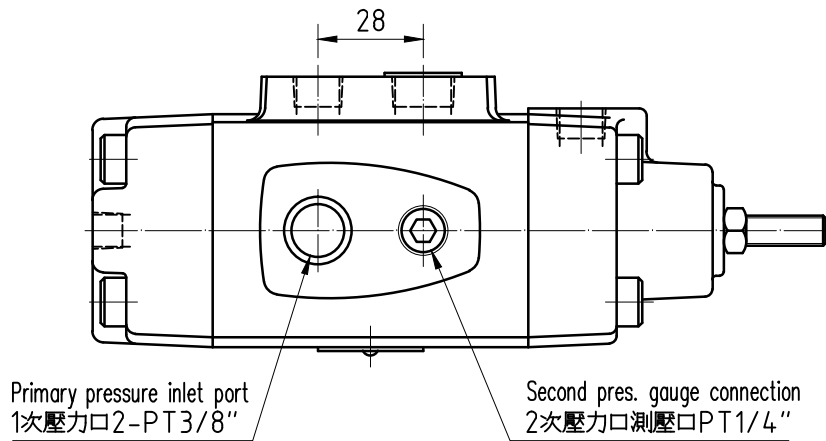
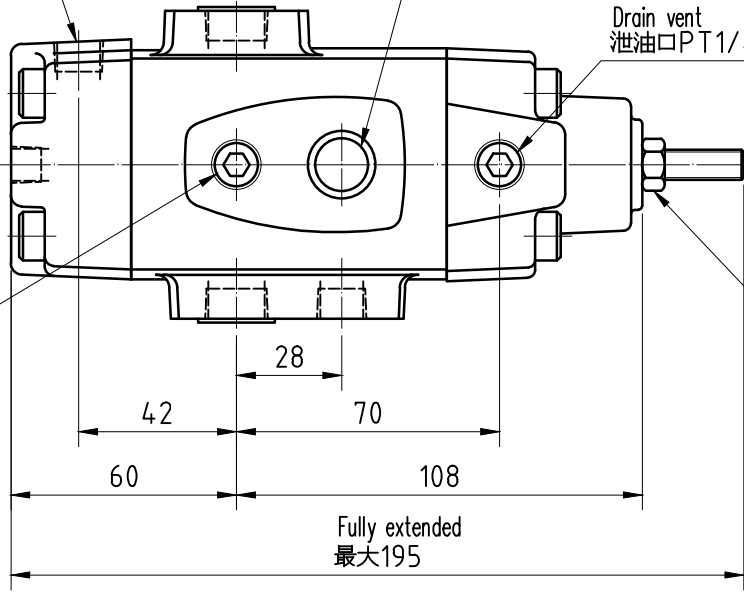
External port
外控口PT1/4"

Second pressure outlet port
2次壓力口PT3/8"

Drain vent
泄油口PT1/4"

Primary pres. gauge connection
1次壓力測壓口PT1/4"

Lock nut 13 hex.
鎖定螺帽對邊13



MODEL: HT-03
單位:mm Unit:mm