

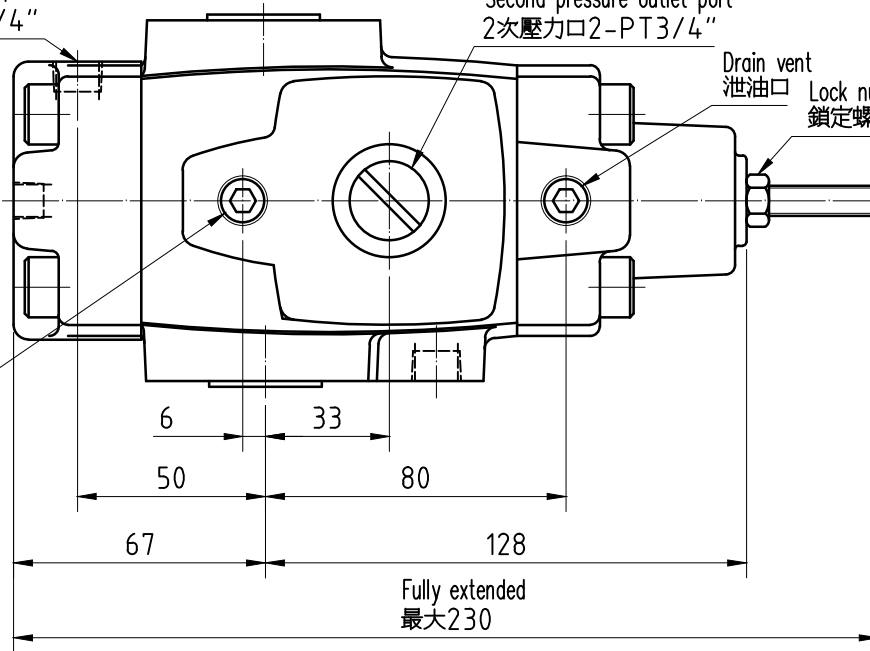


External port
外控口PT1/4"

Second pressure outlet port
2次壓力口2-PT3/4"

Drain vent
泄油口
Lock nut 13 hex.
鎖定螺帽對邊13

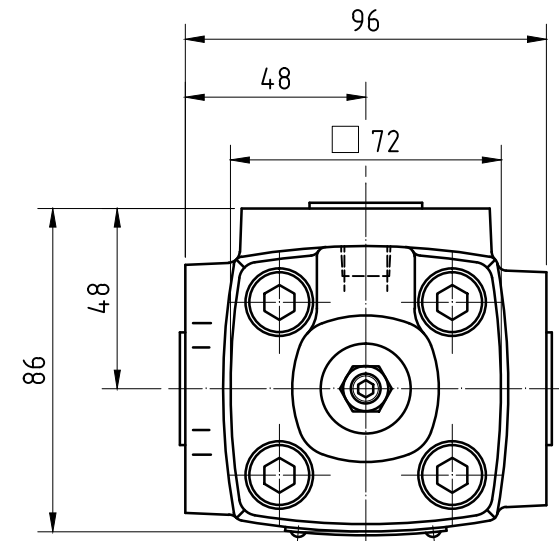
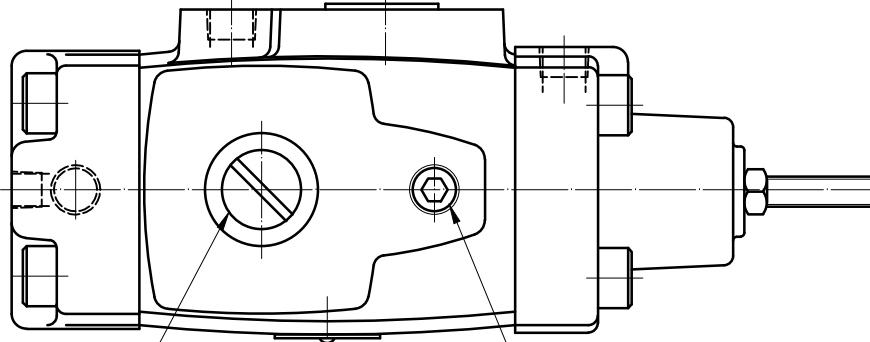
Primary pres. gauge connection
1次壓力測壓口PT1/4"



41

Primary pressure inlet port
1次壓力口2-PT3/4"

Second pres. gauge connection
2次壓力測壓口PT1/4"



MODEL: HT-06

單位:mm Unit:mm