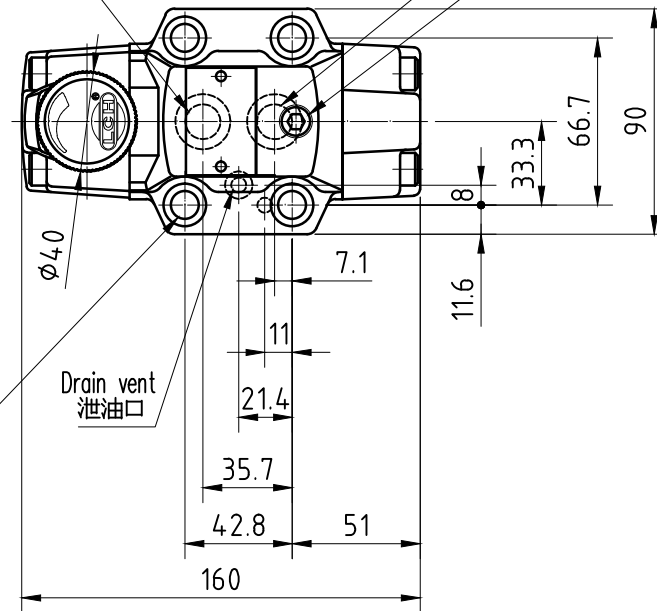




Primary pressure inlet port or reversed free flow outlet port
1次壓力口或自由流出口

Second pressure outlet port or reversed free flow inlet port
2次壓力口或自由流入口

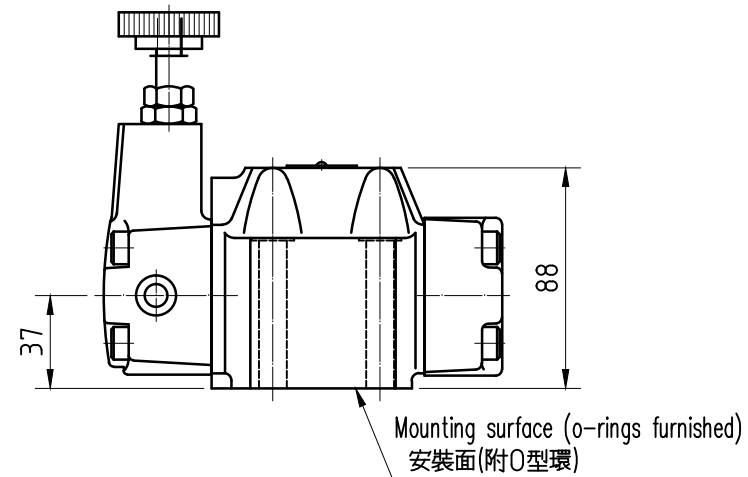
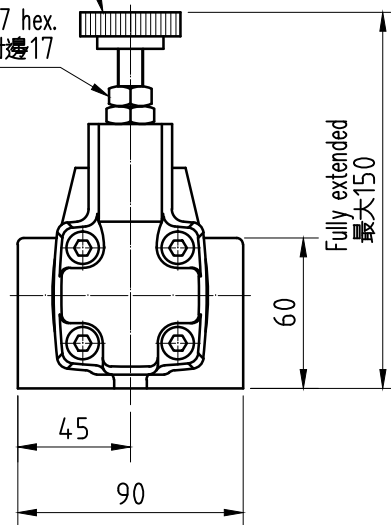
Second pres. gauge connection
2次壓力測壓口PT 1/4"



11 dia. through 17.5 dia. spotface 4 places
4- $\phi 11$ 孔, $\phi 17.5$ 沉孔坑深1

Pressure adj. knob
壓力調整輪

Lock nut 17 hex.
鎖定螺帽對邊17



Mounting surface : ISO 5781-AG-06-2-A
安裝面:符合ISO 5781-AG-06-2-A

MODEL : RCG-03
單位:mm Unit:mm