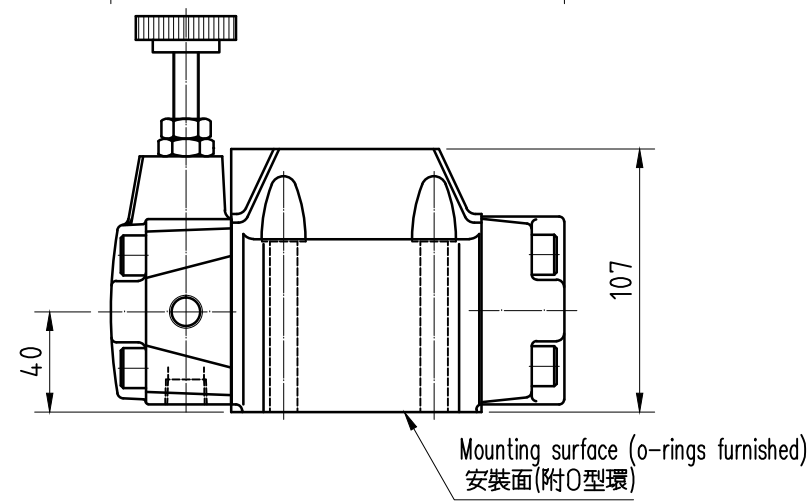
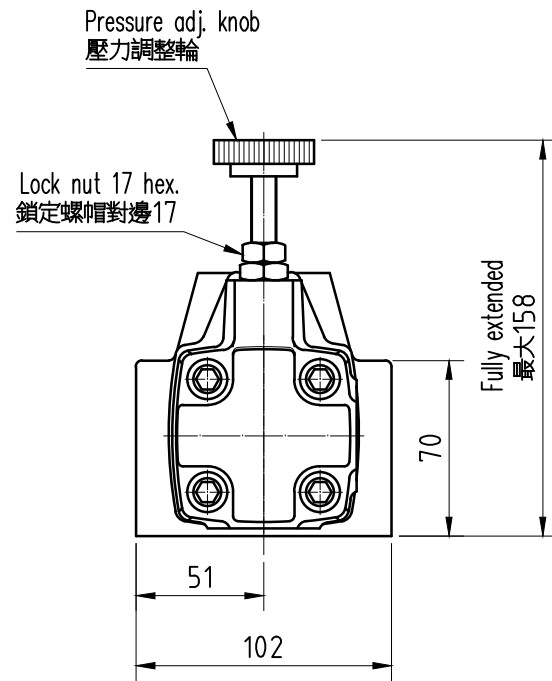
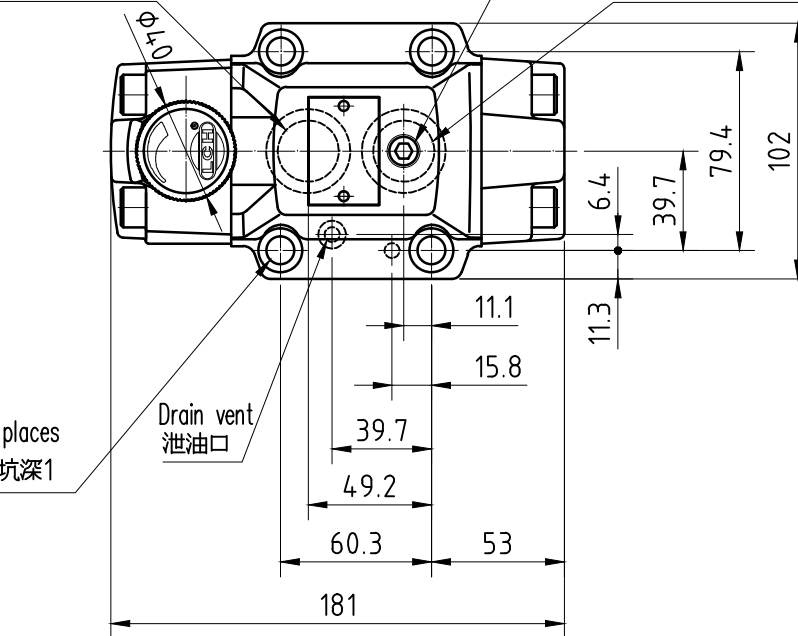




Primary pressure inlet port or reversed free flow outlet port
1次壓力口或自由流出口

Second pres. gauge connection
2次壓力測壓口PT1/4"

Second pressure outlet port or reversed free flow inlet port
2次壓力口或自由流入口



Mounting surface : ISO 5781-AH-08-2-A
安裝面:符合ISO 5781-AH-08-2-A

MODEL : RCG-06
單位:mm Unit:mm