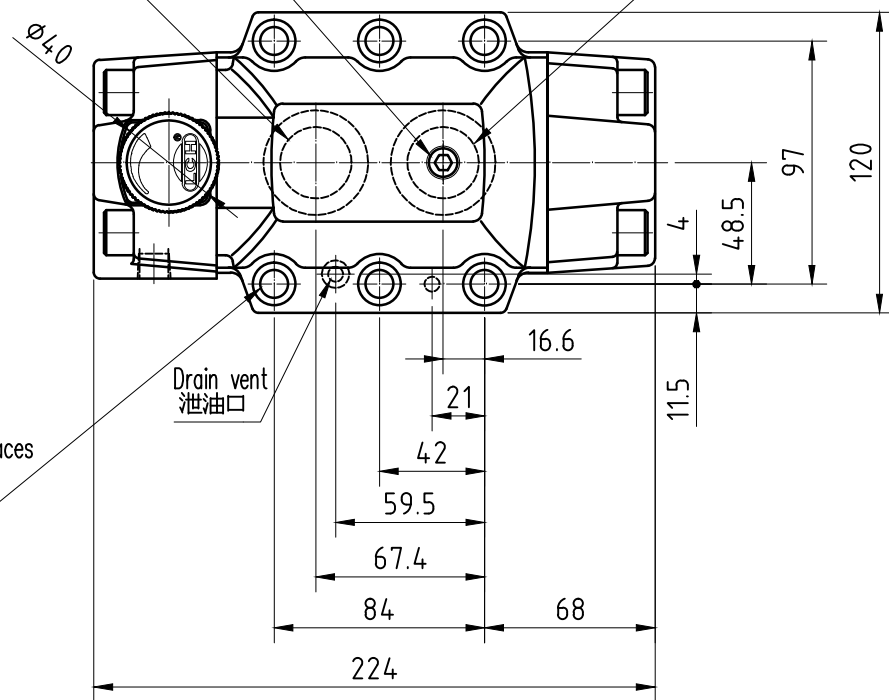




Primary pressure inlet port or  
reversed free flow outlet port  
1次壓力口或自由流出口

Second pres. gauge connection  
2次壓力測壓口PT 1/4"

Second pressure outlet port or  
reversed free flow inlet port  
2次壓力口或自由流入口

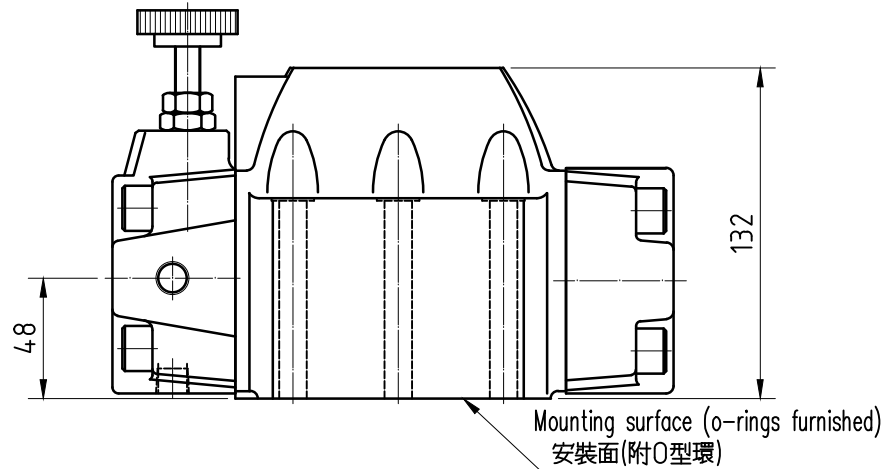
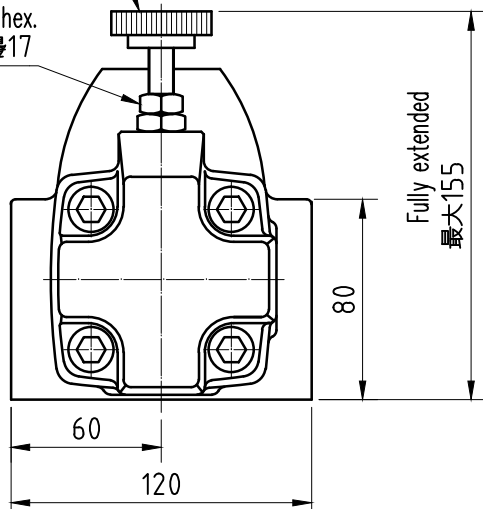


11 dia. through 17.5 dia. spotface 6 places  
6- $\phi 11$ 孔,  $\phi 17.5$ 沉孔坑深1

Drain vent  
泄油口

Pressure adj. knob  
壓力調整輪

Lock nut 17 hex.  
鎖定螺帽對邊17



Mounting surface : ISO 5781-AJ-10-2-A  
安裝面:符合ISO 5781-AJ-10-2-A

MODEL : RCG-10  
單位:mm Unit:mm