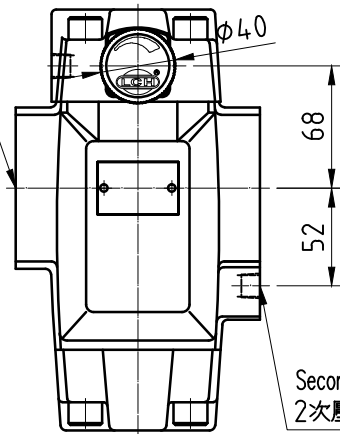
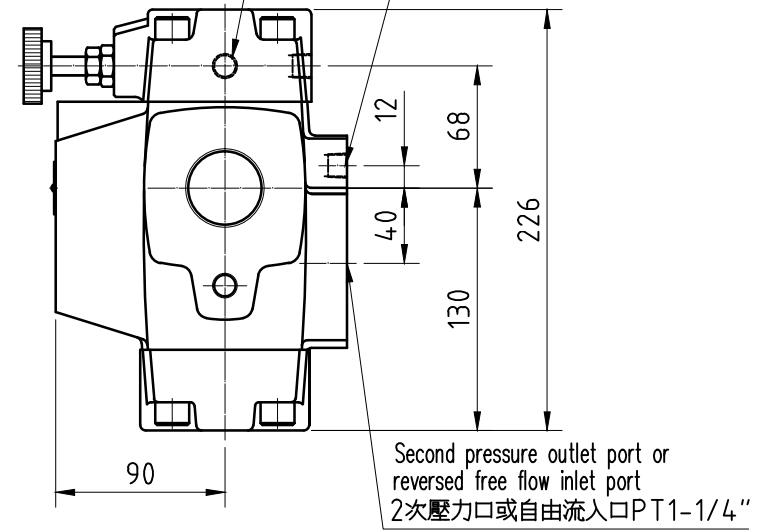


Primary pressure inlet port or
reversed free flow outlet port
1次壓力口或自由流出口2-PT1-1/4"



Drain vent
泄油口PT1/4"

Primary pres. gauge connection
1次壓力測壓口PT1/4"



MODEL: RCT-10
單位:mm Unit:mm