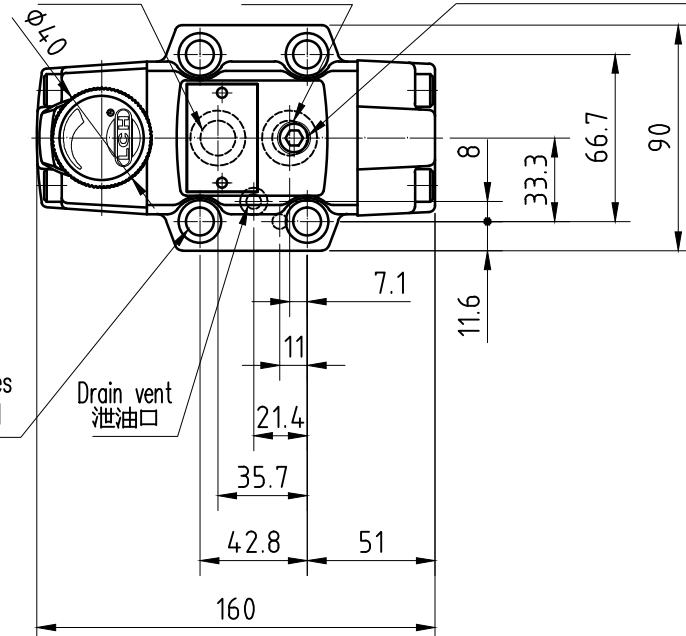




Primary pressure inlet port
1次壓力口

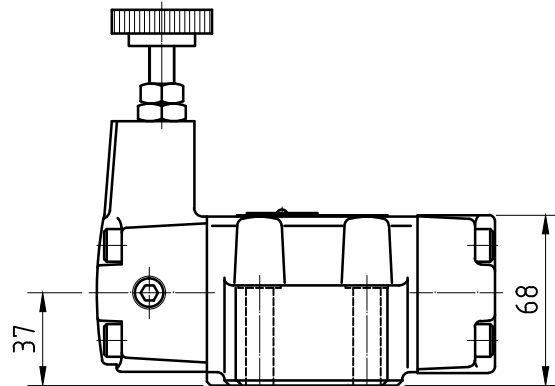
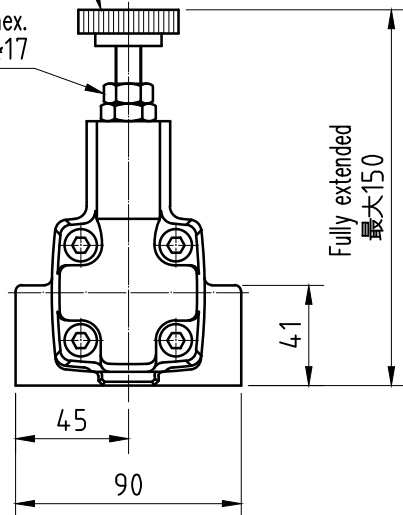
Second pressure outlet port
2次壓力口

Second pres. gauge connection
2次壓力測壓口PT1/4"



Pressure adj. knob
壓力調整輪

Lock nut 17 hex.
鎖定螺帽對邊17



Mounting surface (o-rings furnished)
安裝面(附O型環)

Mounting surface : ISO 5781-AG-06-2-A

安裝面:符合ISO 5781-AG-06-2-A

MODEL:RG-03

單位:mm Unit:mm