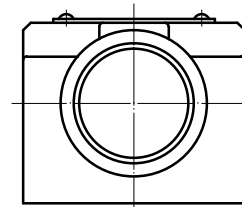
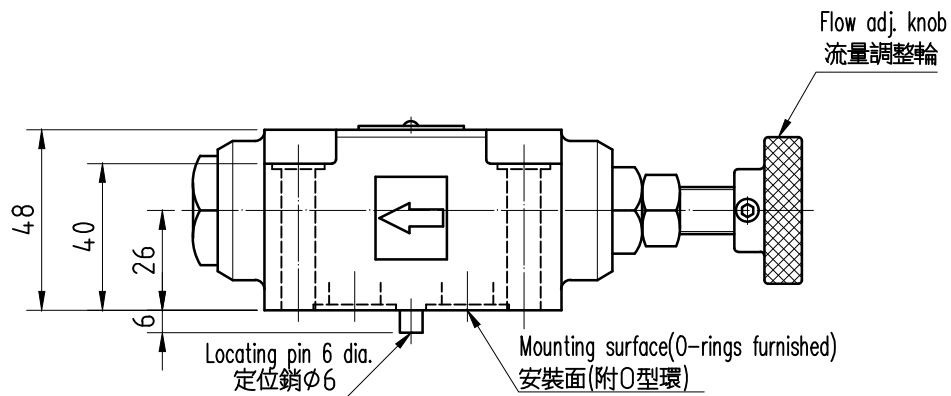


增加
Flow increase
for C.W. turning



MODE: SRCG-03
單位:mm Unit:mm