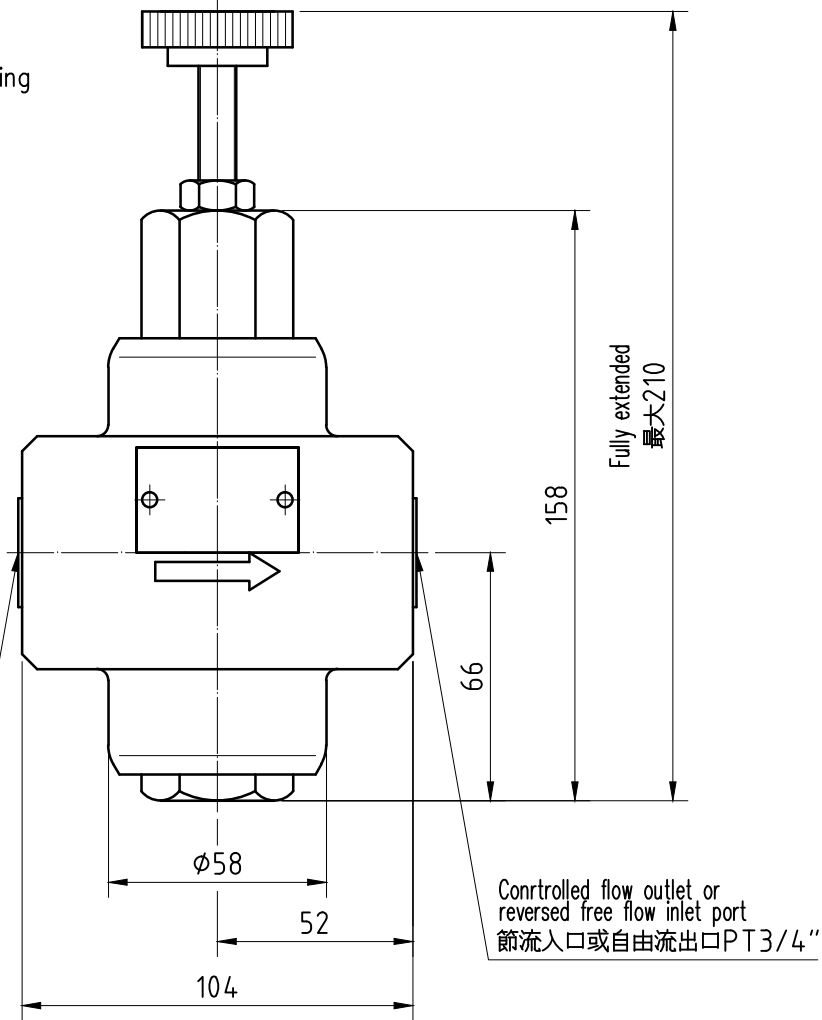




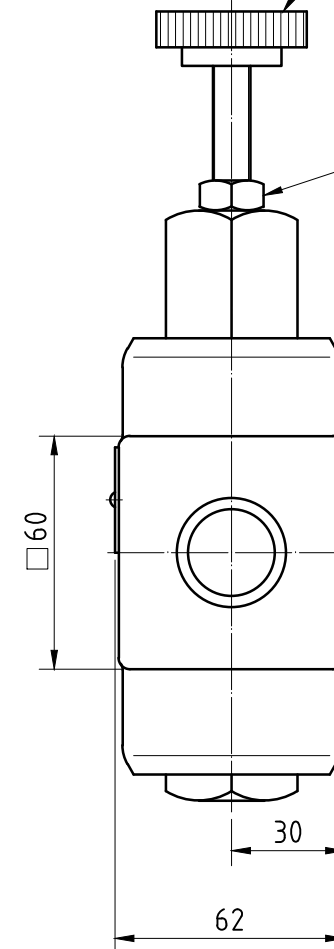
增加  
Flow increase  
for C.W. turning

Controlled flow inlet or  
reversed free flow outlet port  
節流出口或自由流入口PT3/4"



Flow adj. knob  
流量調整輪 $\phi 4.0$

Lock nut 19 hex.  
鎖定螺帽對邊17



MODE: SRCT-06

單位:mm Unit:mm