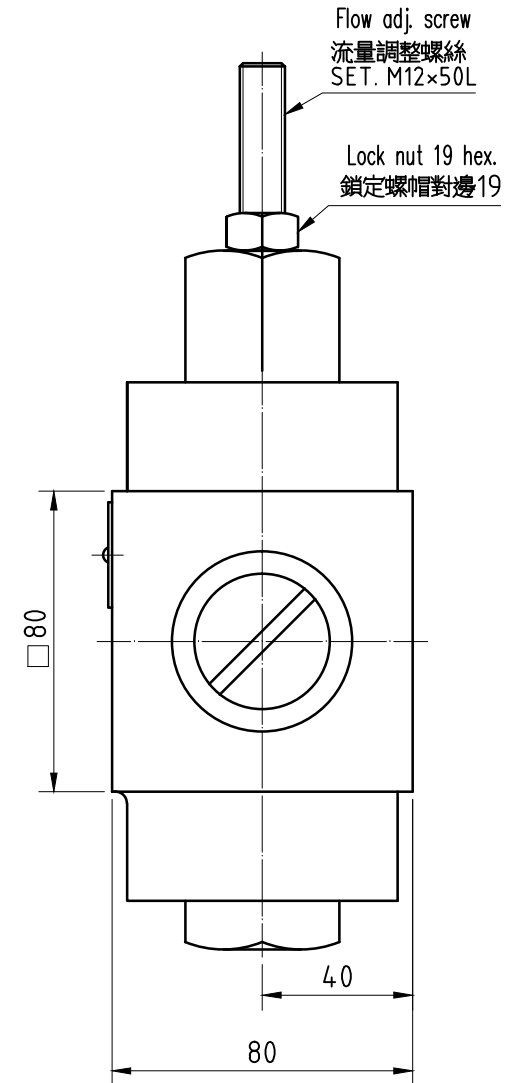
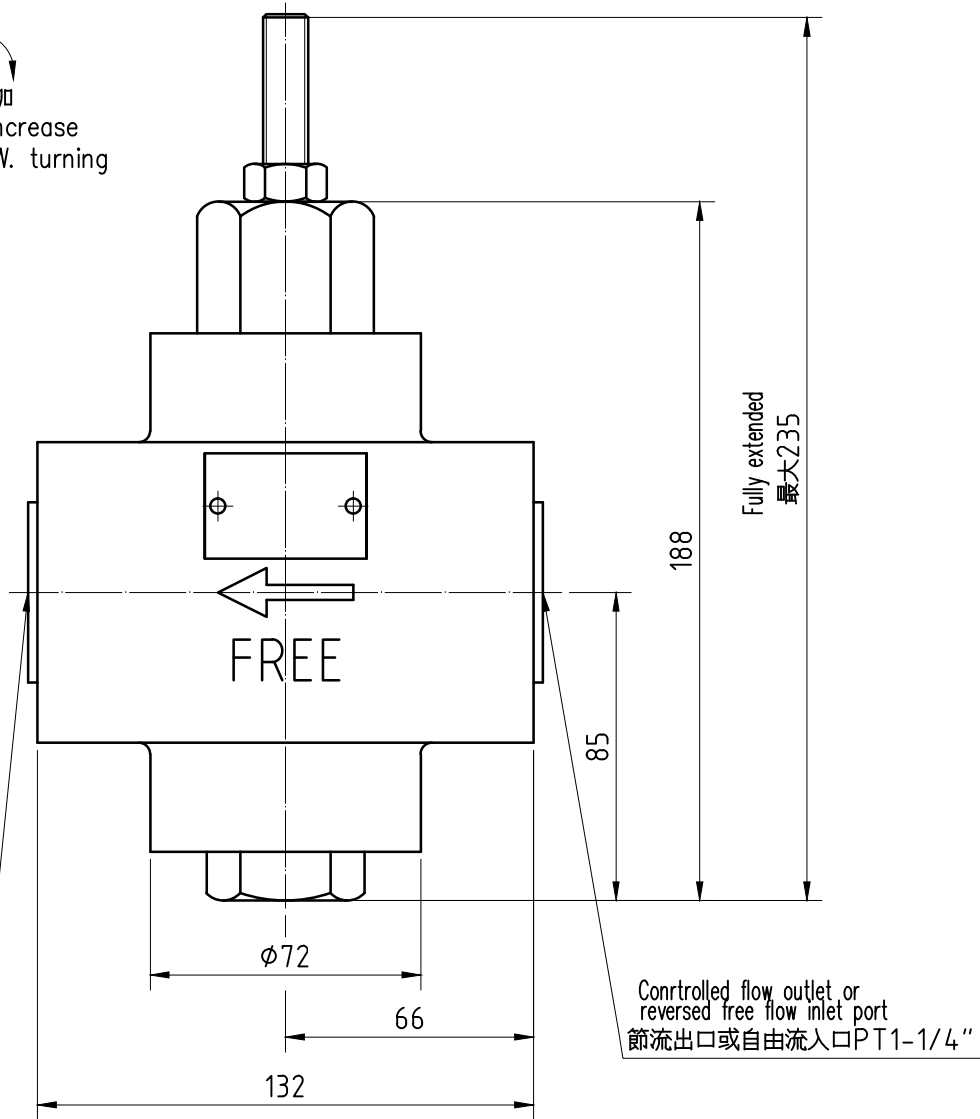




增加  
Flow increase  
for C.W. turning



MODE: SRCT-10  
單位:mm Unit:mm